



LED Operation
Theatre Lights

MATRIX
SERIES

MEDITECH (INDIA)[®]
Creating Your Lifeline

ISO
9001:2015
Certified
Company

ISO
13485:2012
Certified
Company

OHSAS
18001:2007
Certified
Company





Twin Surgical OT Light Matrix 2



Single Surgical OT Light Matrix 1



Mobile Surgical OT Light Matrix M



FEATURES

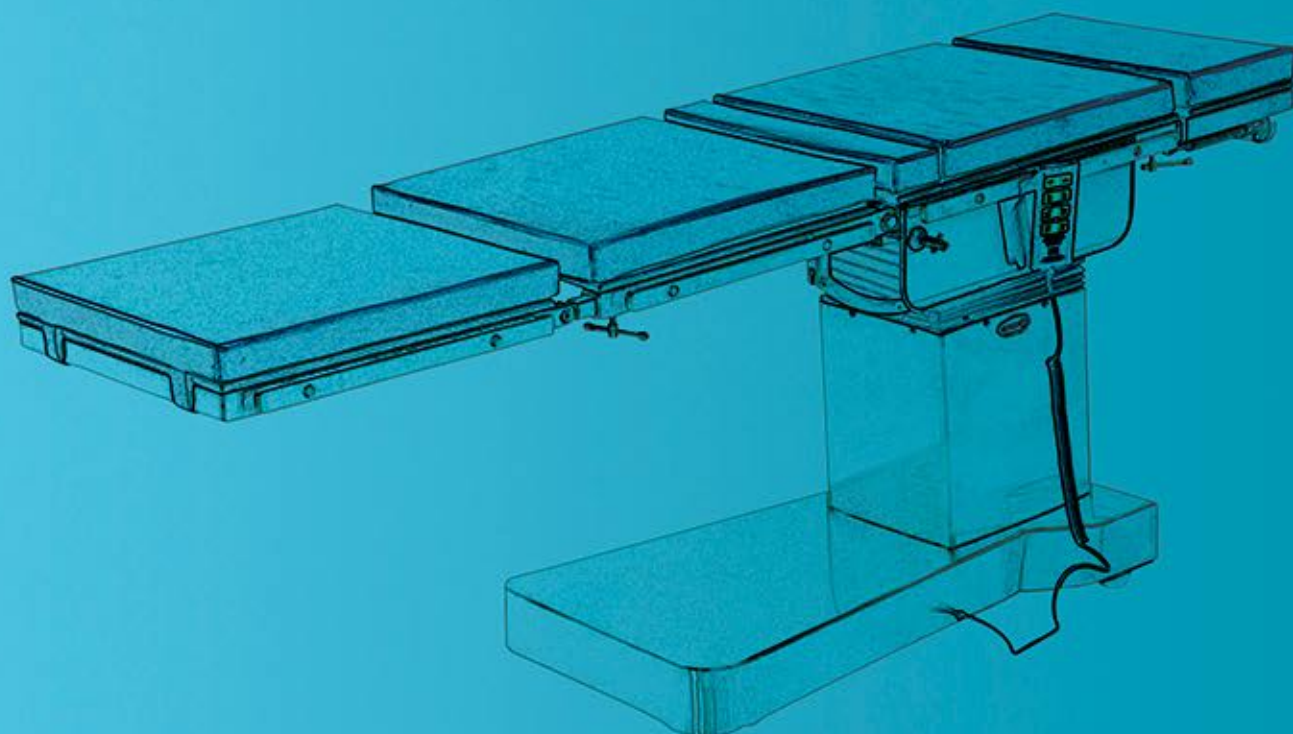
- Light head is streamlined, ultra-thin with aerodynamic shape and laminar compatibility.
- Germany made OSRAM LED bulbs and French Gaggione Lens guarantee a uniform nature cool lighting in surface and deep cavity procedures.
- Spring arms which can turn around all points of articulation, more easier to maneuver and place.
- Split intensity controller to adjust white balance of light according to surgeon's requirement.
- Revolving outer sterilizable handle at the light head allow to adjust focus dia and positioning the light head.
- Micro computer digital control with shifts luminance 0%-100% for selection.
- We offer infrared remote controller to facilitate the operation of the light.

TECHNICAL DATA

	Head 1	Head 2
Light head dia	50 cm	50 cm
Illumination intensity @1m	140,000 Lux	140,000 Lux
Focus dia	15-25 cm	15-25 cm
Focus adjustable	Yes	Yes
Depth of illumination	100 cm	100 cm
Color temperature	3500K-4500K	3500K-4500K
CRI (Color Rendering Index)	95	95
Illuminating adjustment	0%-100%	0%-100%
No. of LEDs	96	96
LEDs lifetime	50000 hrs	50000 hrs
Energy consumption	50W	50W
Control unit	SMPS	SMPS

TECHNICAL DATA

	Matrix 1	Matrix M
Light head dia	50 cm	50 cm
Illumination intensity @1m	140,000 Lux	140,000 Lux
Focus dia	15-25 cm	15-25 cm
Focus adjustable	Yes	Yes
Depth of illumination	100 cm	100 cm
Color temperature	3500K-4500K	3500K-4500K
CRI (Color Rendering Index)	95	95
Illuminating adjustment	0%-100%	0%-100%
No. of LEDs	96	96
LEDs lifetime	50000 hrs	50000 hrs
Energy consumption	50W	50W
Control unit	SMPS	SMPS



Authorised Distributor :



MEDITECH (INDIA)[®]

487/67, Glass Street, National Market, Peeragarhi, New Delhi-87, India.

Tel. : +91-11-40392484

Mob. : +91- 9812266676, 9812035477

Email : marketinguk@meditech-india.com info@meditech-india.com

Web : www.meditech-india.com www.surgical-lights.com

Skype : [exportmeditech](https://www.skype.com/en/contacts/meditech)

*Design & specifications are subject to change without any further notice. Publishing of any material in full or half of this catalogue is a punishable offence, as the products shown in the catalogue are the sole property of MEDITECH INDIA.